

RG..R-ECblue

for single phase alternating current, 200-277 V

RG28R-ZIK



Description

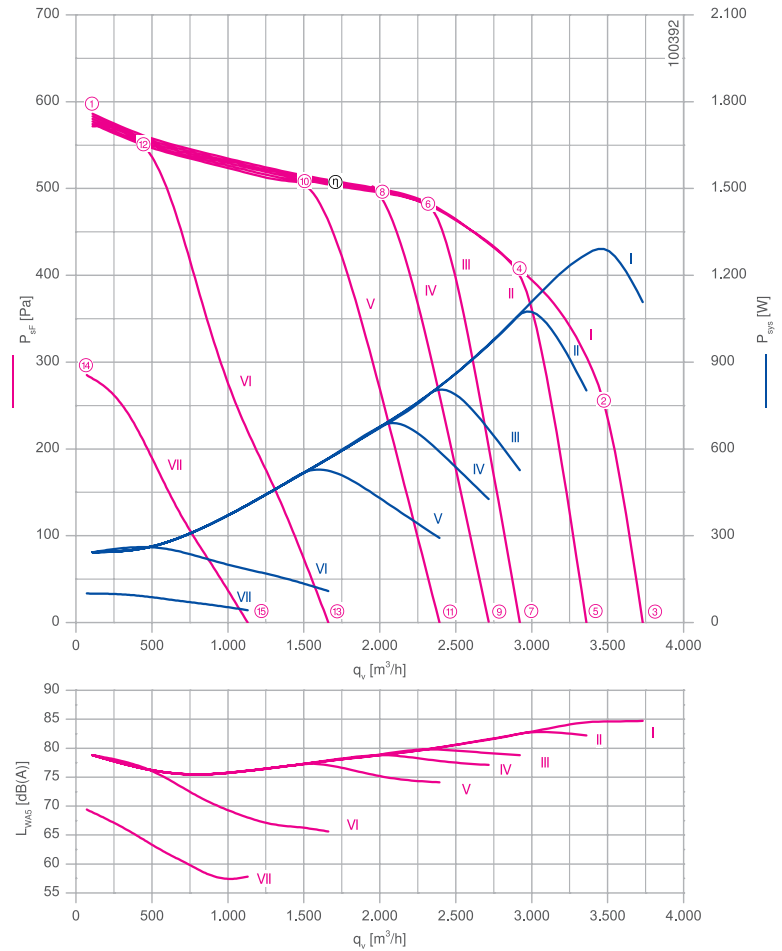
Motor technology: EC
 Rated voltage U: 1-200-277 V*
 Rated frequency f: 50/60 Hz*
 Motor input power P: 1.30 kW*
 Rated current I: 6.40-4.60 A*
 Rated speed n: 1390 min⁻¹*
 Thermal class: THCL155*
 Min. permitted ambient temperature t_R: -20 °C
 Max. permitted ambient temperature t_R at n_{max}: 40 °C
 Electrical connection: integrated Controller
 Number of blades : 38
 Balancing quality: G 6.3
 Protection class: IP54
 Motor protection: Integrated active temperature management
 Impeller : Galvanised sheet metal, uncoated
 Conformity: ErP 2015, CE

ErP-data

Efficiency η_{statA}: 47.0 %
 Efficiency: N_{actual} = 54.9 / N_{target} = 44**
 EC controller integrated

*Rated data
 **ErP 2015

Characteristic curve

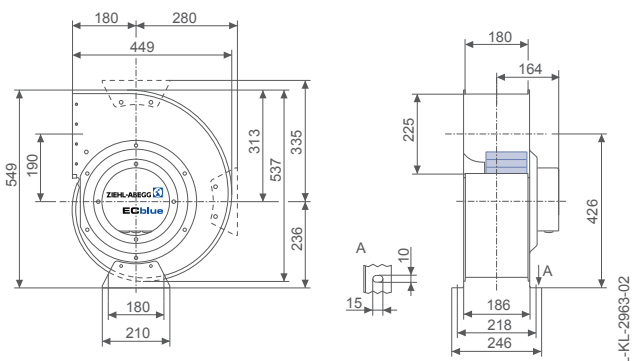


Measured with inlet ring, without guard grille according to ISO 5801

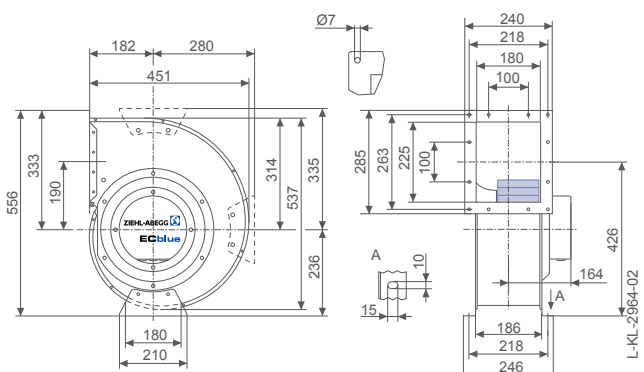
- Inlet ring 00411504 Page 264
- Connection diagram 1360-401 Page 366
- System components Page 262

Dimensions [mm]

Fan with housing, single inlet, without flange



Fan with housing, single inlet, with flange






Performance data




Type	Characteristic curve	Speed	Speed	Operating point	Current	Motor input power	Suction side sound power level	Maximum ambient temperature
		n [min ⁻¹]	%					
RG28R-ZIK.DC.4R	I	1390	100	①	1.10	240	79	40
		1390		②	5.60	1300	85	
		1160		③	4.80	1100	85	
	II	1390	④	4.80	1050	83	60	
		1050	⑤	3.50	800	82		
	III	1390	⑥	3.50	780	80		
		920	⑦	2.30	520	79		
	IV	1390	⑧	3.00	680	79		
		870	⑨	1.95	420	77		
	V	1390	⑩	2.30	520	77		
		760	⑪	1.35	290	74		
	VI	1390	⑫	1.20	260	76		
		540	⑬	0.54	110	66		
	VII	1020	⑭	0.50	100	69		
		380	⑮	0.42	42	58		

Current values determined at 230V

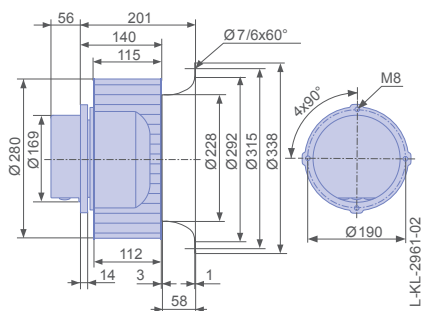
Fan ordering information

Design	RG (without flange)	RG (with flange)	RE
Installation position	H	H	H/Vu/Vo
			
Type	RG28R-ZIK.DC.4R	RG28R-ZIK.DC.4R	RE28P-ZIK.DC.1R
Article no.	114793	114794	114784
Weight [kg]	18.00	18.00	8.90
* Inlet ring not included			

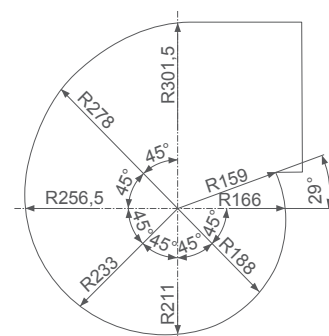
Control technology

Control module	Operating terminal	Expansion module
		
➤ Page 282	➤ Page 294	➤ Page 291

Motorised impeller



Used housing



RG..R-ECblue

for three phase alternating current, 200-240 V

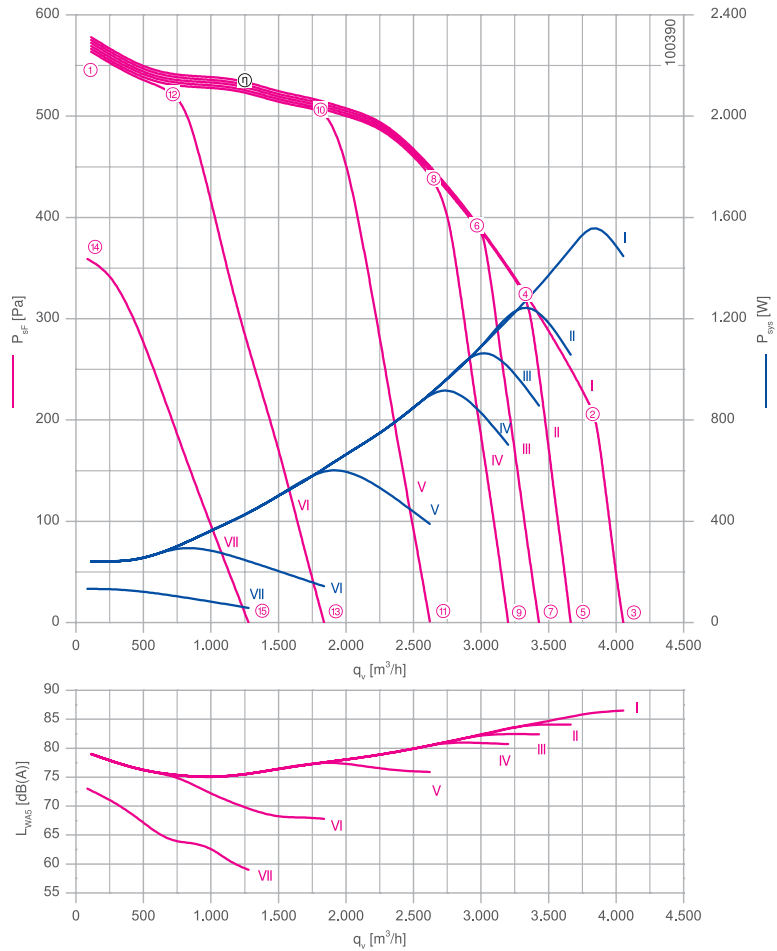
RG28R-ZIK



Description

Motor technology: EC
 Rated voltage U: **3-200-240 V***
 Rated frequency f: **50/60 Hz***
 Motor input power P: **1.60 kW***
 Rated current I: **4.80-4.00 A***
 Rated speed n: **1450 min⁻¹***
 Thermal class: **THCL155***
 Min. permitted ambient temperature $t_{r, -20}^{\circ}\text{C}$
 Max. permitted ambient temperature $t_{r, \text{max}}^{\circ}\text{C}$ at n_{max} : **40 °C**
 Electrical connection: integrated Controller
 Number of blades : 38
 Balancing quality: G 6.3
 Protection class: IP54
 Motor protection: Integrated active temperature management
 Impeller : Galvanised sheet metal, uncoated
 Conformity: ErP 2015, CE
ErP-data
 Efficiency η_{statA}^* : 49.8 %
 Efficiency: $N_{\text{actual}} = 58.5 / N_{\text{target}} = 44^{**}$
 EC controller integrated
 *Rated data
 **ErP 2015

Characteristic curve

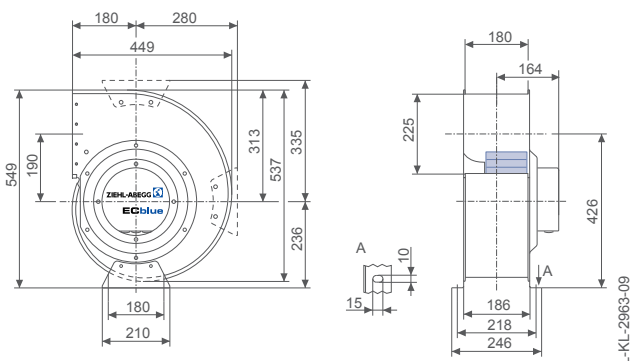


Measured with inlet ring, without guard grille according to ISO 5801

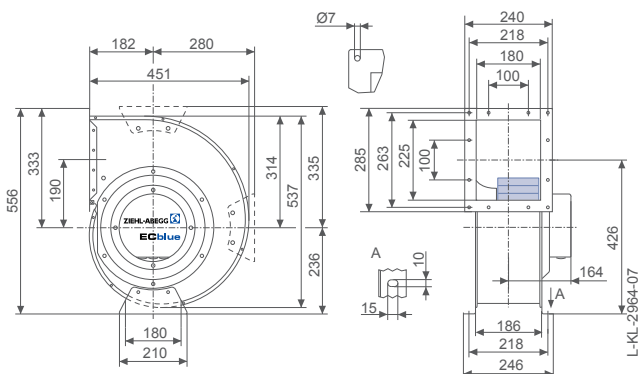
- Inlet ring 00411504 Page 264
- Connection diagram 1360-401 Page 366
- System components Page 262

Dimensions [mm]

Fan with housing, single inlet, without flange



Fan with housing, single inlet, with flange






Performance data




Type	Characteristic curve	Speed	Speed	Operating point	Current	Motor input power	Suction side sound power level	Maximum ambient temperature
		n [min ⁻¹]	%					
RG28R-ZIK.DC.4R	I	1450	100	①	0.72	240	79	40
		1450		②	4.20	1600	86	
		1280		③	3.80	1450	87	
	II	1450	④	3.30	1250	84		
		1170	⑤	2.80	1050	84		
	III	1450	⑥	2.90	1100	82	60	
		1090	⑦	2.30	860	82		
	IV	1450	⑧	2.50	940	81		
		1020	⑨	1.85	700	81		
	V	1450	⑩	1.65	620	78		
		840	⑪	1.10	390	76		
	VI	1450	⑫	0.86	300	75		
		600	⑬	0.50	140	68		
	VII	1150	⑭	0.48	130	73		
		430	⑮	0.28	60	59		

Current values determined at 230V

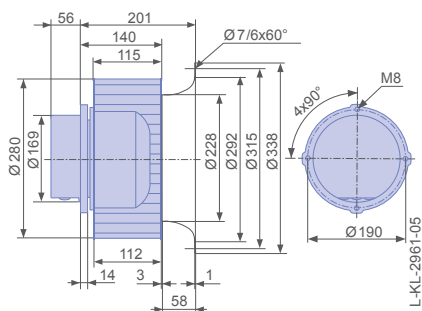
Fan ordering information

Design	RG (without flange)	RG (with flange)	RE
Installation position	H	H	H/Vu/Vo
			
Type	RG28R-ZIK.DC.4R	RG28R-ZIK.DC.4R	RE28P-ZIK.DC.1R
Article no.	114935	114936	114929
Weight [kg]	18.00	18.00	8.90
* Inlet ring not included			

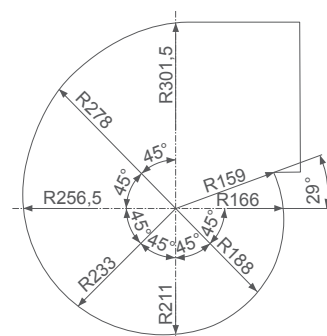
Control technology

Control module	Operating terminal	Expansion module
		
➤ Page 282	➤ Page 294	➤ Page 291

Motorised impeller



Used housing



L-KL-3007-02

RG..R-ECblue

for three phase alternating current, 380-480 V

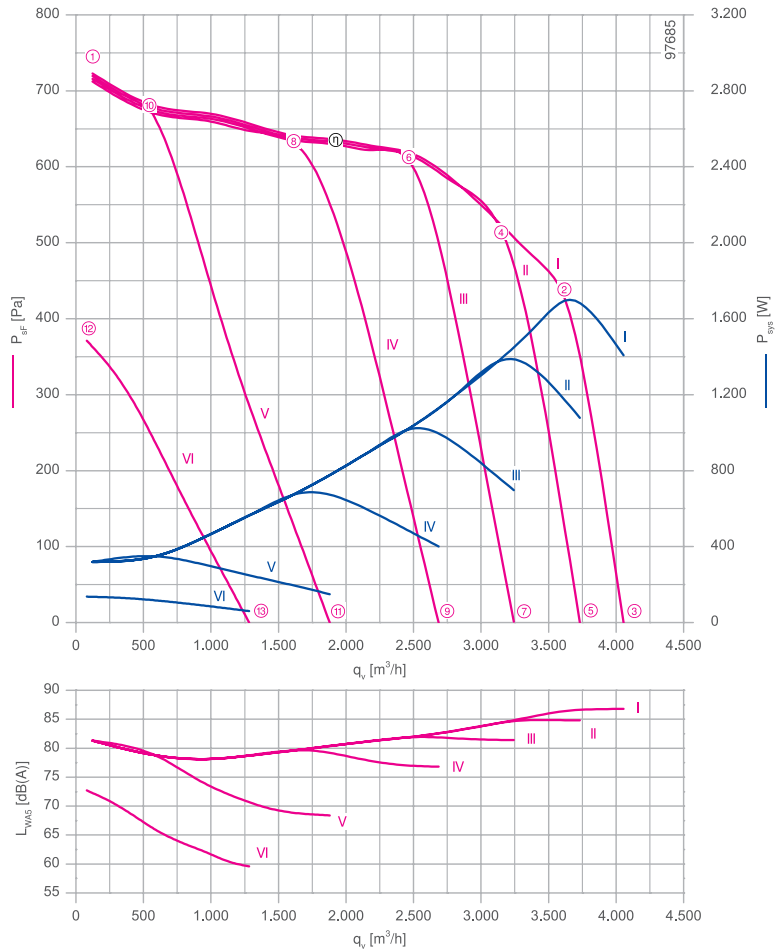
RG28R-ZIK



Description

Motor technology: EC
 Rated voltage U: **3-380-480 V***
 Rated frequency f: **50/60 Hz***
 Motor input power P: **1.70 kW***
 Rated current I: **2.80-2.20 A***
 Rated speed n: **1600 min⁻¹***
 Thermal class: **THCL155***
 Min. permitted ambient temperature t_{r1} : -20 °C
 Max. permitted ambient temperature t_{r2} at n_{max} : 40 °C
 Electrical connection: integrated Controller
 Number of blades : 38
 Balancing quality: G 6.3
 Protection class: IP54
 Motor protection: Integrated active temperature management
 Impeller : Galvanised sheet metal, uncoated
 Conformity: ErP 2015, CE
ErP-data
 Efficiency η_{statA} : 48.1 %
 Efficiency: $N_{actual} = 55.0 / N_{target} = 44^{**}$
 EC controller integrated
 *Rated data
 **ErP 2015

Characteristic curve

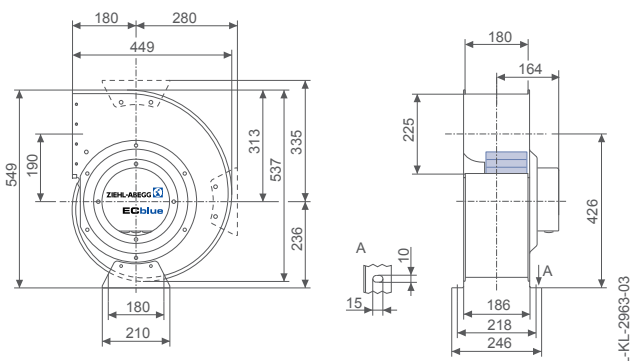


Measured with inlet ring, without guard grille according to ISO 5801

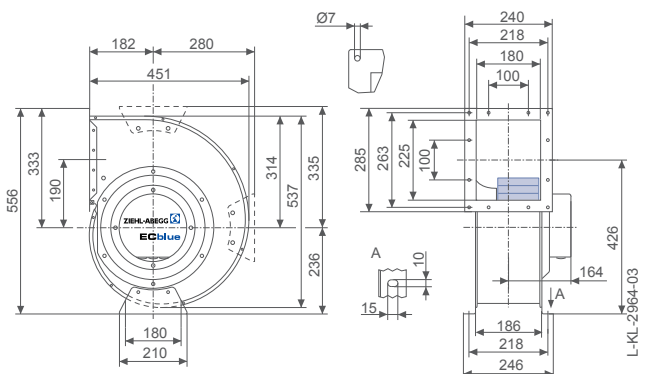
- Inlet ring 00411504 Page 264
- Connection diagram 1360-401 Page 366
- System components Page 262

Dimensions [mm]

Fan with housing, single inlet, without flange



Fan with housing, single inlet, with flange






Performance data




Type	Characteristic curve	Speed	Speed	Operating point	Current	Motor input power	Suction side sound power level	Maximum ambient temperature
		n [min ⁻¹]	%					
RG28R-ZIK.DC.4R	I	1600	100	①	0.70	320	81	40
		1600		②	2.70	1700	87	
		1260		③	2.20	1400	87	
	II	1600	80	④	2.20	1400	85	60
		1160		⑤	1.75	1100	85	
		1600		100	⑥	1.70	1050	
	III	1010	58	⑦	1.20	700	81	
		1610	100	⑧	1.20	700	80	
	IV	840	40	⑨	0.82	400	77	
		1600	100	⑩	0.74	350	79	
	V	600	20	⑪	0.44	150	68	
		1160	70	⑫	0.40	140	73	
	VI	420	10	⑬	0.26	60	60	

Current values determined at 400V

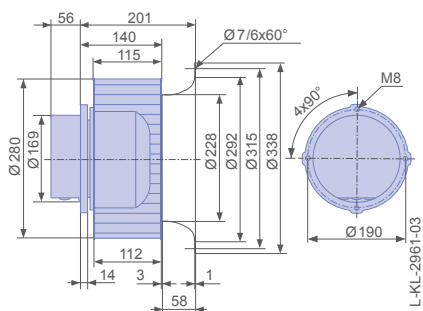
Fan ordering information

Design	RG (without flange)	RG (with flange)	RE
Installation position	H	H	H/Vu/Vo
			
Type	RG28R-ZIK.DC.4R	RG28R-ZIK.DC.4R	RE28P-ZIK.DC.1R
Article no.	114795	114796	114785
Weight [kg]	18.00	18.00	8.90
* Inlet ring not included			

Control technology

Control module	Operating terminal	Expansion module
		
➤ Page 282	➤ Page 294	➤ Page 291

Motorised impeller



Used housing

